



AL8-25-300-LEDN-HF

Prod.No. 93631 EAN: 4007529936311

- Voltage: 200 – 240 V AC 50 Hz
- Dimensions: Ø 300 x 50 mm
- Colour temperature: 4000 K

Areas of application

- equipment rooms
- corridors/hallways
- staircases
- toilets
- entrance halls
- plumbed rooms/bathrooms

Order data

Designation	Colour	Art.No
AL8-25-300-LEDN-HF	white	93631

Accessories

Designation	Colour	Art.No
Protection ring AL8	white	93014

Technical data

Voltage:	200 – 240 V AC 50 Hz
Dimensions:	Ø 300 x 50 mm
Colour temperature:	4000 K
Luminous flux / intensity:	2500 lm
Anti-glare:	UGR < 25
Efficiency:	100 lm/W
Photobiological safety:	RG 0
Colour reproduction:	CRI > 80 / TM30: 82
Rated life time:	50000 h (L80/B10)
Power consumption:	25 W / PF 0.9
Degree / class of protection:	IP20 / Class II
Flammability rating:	UL-94 V2, 750°C
Impact strength:	IK10
Ambient temperature:	-20 °C to +45 °C
Housing:	polycarbonate, UV-resistant
Material color:	white, similar to RAL9016
Microwave detector	
Radar / HF technology:	5.8 GHz, < 0.5 mW
Detection area:	horizontal 360° (Ceiling mounting) Ø null – 12 m
Range:	max. 7 m towards
Follow-up time:	20 sec – 10 min
Switch-on threshold:	inactive / 5 – 50 Lux

Product information

Flat round LED luminaires for wall or ceiling mounting

Energy efficient light with long service life > 50,000 hours

Broad light distribution using diffused light covers

Integrated microwave sensor, not externally visible, wide detection range

HF technology: 5.8 GHz - reacts to the smallest motion, independently of temperature

DIP switches to set follow-up time, switch-on threshold and sensor sensitivity

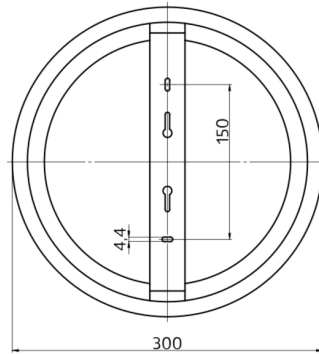
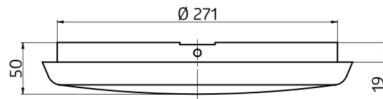
Sturdy plastic case made of polycarbonate

high fire protection rating

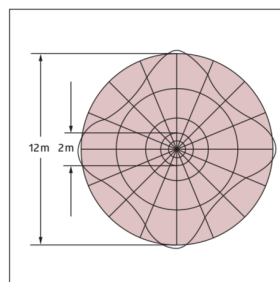
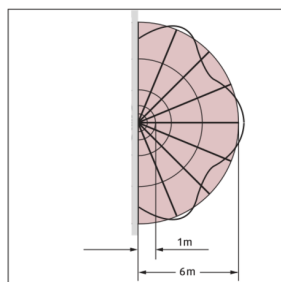
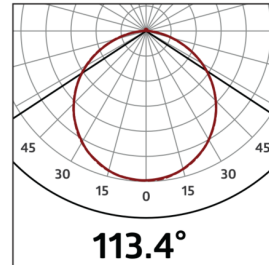
Simple mounting with separate mounting bracket

Application examples:

equipment rooms, corridors/hallways, staircases, toilets, entrance halls, plumbed rooms/bathrooms



h (m)	Ø (m)	E (lx)
1.0	3	874
2.0	6.1	219
3.0	9.1	97
4.0	12.2	55
5.0	15.2	35



Accessories



Protection ring AL8
Art.No: 93014

Dimensions: Ø 305 x 19 mm
Material color: white

B.E.G.**LUXOMAT®**

LC-Click-N 140

Prod.No. 91001 EAN: 4007529910014

- Voltage: 110 – 240 V AC 50 / 60 Hz
- Dimensions: 103 x 78 x 80 mm
- Power consumption: approx. 0.4 W

Areas of application

- outdoor areas (entrances/access roads)
- parking areas
- underground car parks

Order data

Designation	Colour	Art.No
LC-Click-N 140	white	91001

Accessories

Designation	Colour	Art.No
Wire basket BSK (Ø 164 x 143 mm)	white	92467
RC-Arc extinction kit	white	10880
Mini-RC-Arc extinction kit		10882

Technical data

Voltage:	110 – 240 V AC 50 / 60 Hz
Dimensions:	103 x 78 x 80 mm
Power consumption:	approx. 0.4 W
Detection area:	horizontal 140° (Wall mounting) max. 12 m across max. 4 m towards
Range:	max. 2 m anti- creep protection
Monitored area (tangential movement):	170 m ² / 2.5 m mounting height
Mounting height min./max./recommended:	2 m / 3 m / 2.5 m
Degree / class of protection:	IP54 / Class II
Impact strength:	IK04
Ambient temperature:	-25 °C to +50 °C
Housing:	polycarbonate, UV-resistant
Material color:	white mat, similar to RAL9010
Channel 1 (lighting control)	
Switching power:	1000 W, cos φ = 1 500 VA, cos φ = 0.5 200 W LED
Type of contact (k):	1x μ -contact, NO contact
Follow-up time:	4 sec – 20 min
Switch-on threshold:	2 – 500 Lux

Product information

Motion detector with 140° detection area and 180° anti-creep zone

Adjustable ball head

Detection area can be restricted with blinds

Zero crossing switching

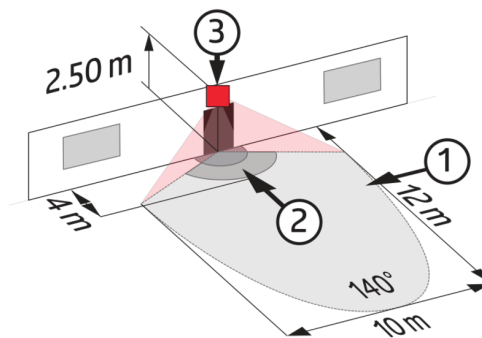
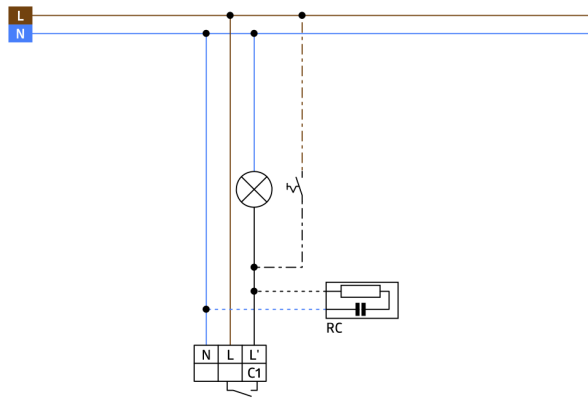
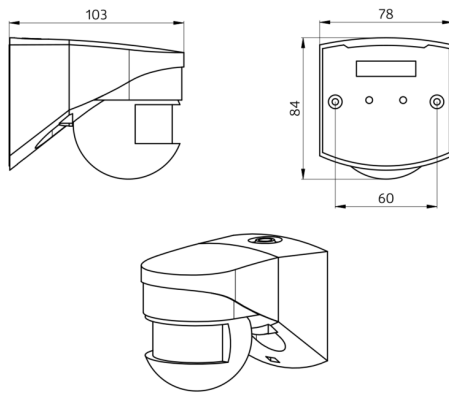
Simple mounting thanks to plug base

Cable entry possible from above, from below and from behind

Can be mounted on standard flush-mount boxes

Application examples:

outdoor areas (entrances/access roads), parking areas,
underground car parks



Accessories



Wire basket BSK (Ø 164 x 143 mm)
Art.No: 92467

Dimensions: Ø 164 x 143 mm
Impact strength: IK09
Housing: coated steel basket



RC-Arc extinction kit
Art.No: 10880

Voltage: 230 V AC ±10%
Dimensions: 38 x 12 x 26 mm
Degree / class of protection: IP20 / Class II



Mini-RC-Arc extinction kit
Art.No: 10882

Voltage: 230 V AC ±10%
Dimensions: 50 x 23 x 8 mm
Degree / class of protection: IP20 / Class II



PD2N-KNXs-ST-FM

Prod.No. 93511 EAN: 4007529935116

- Voltage: via KNX BUS
- Dimensions: FM= Ø 106 x 42 mm
- Typ. power input: 12 mA

Order data

Designation	Colour	Art.No
PD2N-KNXs-ST-FM	white	93511

Accessories

Designation	Colour	Art.No
BLE-IR-Adapter	black	93067
IR-PD-KNX	-	92123
SM socle mounting set IP54 PD2N- / PD4N-FM	white	93307
SM socle mounting set IP54 PD2N- / PD4N-FM	black	93753
SM socle mounting set IP54 PD2N- / PD4N-FM	traffic white	93752
SM socle mounting set IP54 PD2N- / PD4N-FM	anthracite	93751
Cover ring PD2N FM	black	93763
Cover ring PD2N FM	traffic white	93762
Cover ring PD2N FM	anthracite	93761
Wire basket BSK (Ø 200 x 90 mm)	white	92199
Wall holder PD2N/4N Typ A	white	93164
SM socket for Wall holder	white	93192

Technical data

Voltage:	via KNX BUS
Dimensions:	FM= Ø 106 x 42 mm
Typ. power input:	12 mA
Detection area:	horizontal 360° (Ceiling mounting)
Range:	max. Ø 10 m across max. Ø 6 m towards max. Ø 4 m seated
Monitored area (tangential movement):	78 m² / 2.5 m mounting height
Mounting height min./max./recommended:	2 m / 5 m / 2.5 m
Degree / class of protection:	FM= IP20 / Class III
Impact strength:	IK05
Ambient temperature:	-25 °C to +55 °C
Housing:	polycarbonate, UV-resistant
Number of light sensors:	2
Material color:	white mat, similar to RAL9010
Number of PIR sensors:	1
KNX TP 256:	Yes
Orientation light:	5 – 100 % / OFF / 1 min – 255 min
Night light:	5 – 100 %
Brightness set value:	5 – 2000 Lux

Product information

KNX occupancy detector with integrated KNX bus connector

KNX Secure ready

Parameterisation from ETS 5 for integration into KNX systems

Individual adaption of the PIR sensor sensitivity

Mixed light measurement using internal, external and remote (optional) light sensors

Intelligent semi-automatic mode, occupancy-independent regulating mode (photoelectric switch), full automatic mode

1 x Light (for regulating or switching), 1 x slave output, 3 separate HVAC-blocs

Regulation of up to three lighting groups using offset (external influence possible)

Short presence, self-adjusting follow-up time, corridor function

Various locking functions

Soft-start

Recall of light scenes

Deactivatable status indicators

The product database for import into the ETS database can be downloaded from the B.E.G. homepage.

Detection area can be extended thanks to master-slave-mode

Extensive optimization options for light measurement

Measured light value is communicated to the bus

Adaption of dimming curve

Bidirectionally remote control-capable with the IR adapter and the B.E.G. smartphone app

PIN code

IR remote control-capable via IR remote control (optionally)

Programming button (phys. address) can be operated via remote control

HVAC mode (0=automatic, 1=comfort, 2=stand-by, 3=economy, 4=antifreeze/heat protection)

Manual influence via external KNX push buttons possible

Function control (heartbeat, cyclical sending)

Forced switch-off

Intelligent central-off function

Premonition of switch-off

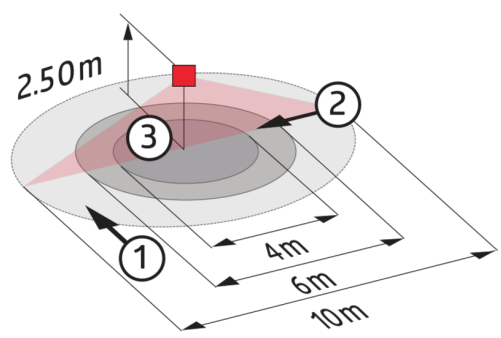
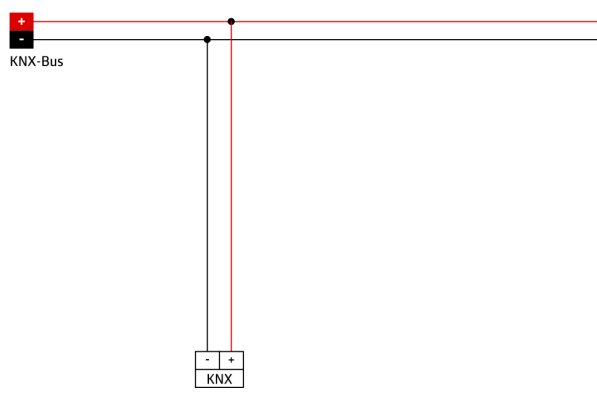
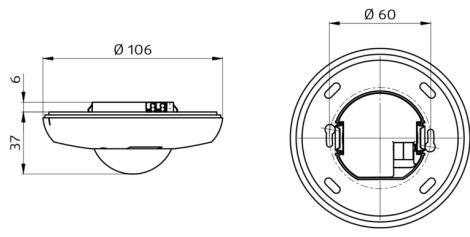
Burn-in function for fluorescent lamps selectable from 1h till 100h

Behaviour upon bus voltage return definable at choice

Variable safety pause after switching off the lights

Typical applications:

Offices, conference rooms, schools, nursery schools, hospitals



Accessories



BLE-IR-Adapter
Art.No: 93067

Dimensions: 40 x 55 x 103 mm
Material color: black
Frequency: 2.4 GHz ISM band, GFSK 0.2 dBm + 5.3 dBi = 5.5 dBm



IR-PD-KNX
Art.No: 92123

Battery: 3.0 V Lithium CR2032 (inclusive)
Dimensions: 80 x 60 x 8 mm
Material color: -



SM socle mounting set IP54 PD2N- / PD4N-FM
Art.No: 93307

Dimensions: Ø 109 x 19 mm
Degree / class of protection: IP54
Material color: white



SM socle mounting set IP54 PD2N- / PD4N-FM
Art.No: 93753

Dimensions: Ø 109 x 19 mm
Degree / class of protection: IP54
Housing: polycarbonate, UV-resistant



SM socle mounting set IP54 PD2N- / PD4N-FM
Art.No: 93752

Dimensions: Ø 109 x 19 mm
Degree / class of protection: IP54
Housing: polycarbonate, UV-resistant



SM socle mounting set IP54 PD2N- / PD4N-FM
Art.No: 93751

Dimensions: Ø 109 x 19 mm
Degree / class of protection: IP54
Housing: polycarbonate, UV-resistant



Cover ring PD2N FM
Art.No: 93763

Dimensions: Ø 106 x 20 mm
Impact strength: IK05
Housing: polycarbonate, UV-resistant



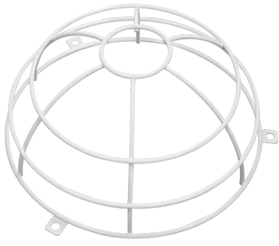
Cover ring PD2N FM
Art.No: 93762

Dimensions: Ø 106 x 20 mm
Impact strength: IK05
Housing: polycarbonate, UV-resistant



Cover ring PD2N FM
Art.No: 93761

Dimensions: Ø 106 x 20 mm
Impact strength: IK05
Housing: polycarbonate, UV-resistant



Wire basket BSK (Ø 200 x 90 mm)
Art.No: 92199

Dimensions: Ø 200 x 90 mm
Impact strength: IK09
Housing: coated steel basket



Wall holder PD2N/4N Typ A
Art.No: 93164

Dimensions: 133 x 106 x 66 mm
Degree / class of protection: IP54
Housing: polycarbonate, UV-resistant



SM socket for Wall holder
Art.No: 93192

Dimensions: 103 x 80 x 26 mm
Housing: polycarbonate, UV-resistant
Material color: white



TS-ASTRO-2-NFC

Prod.No. 93142 EAN: 4007529931422

- Voltage: 230 V AC 50 / 60 Hz
- Dimensions: 45 x 36 x 58 mm (2 TE)
- Power consumption: 0.2 – 1 W

Order data

Designation	Colour	Art.No
TS-ASTRO-2-NFC	grey	93142

Technical data

Voltage:	230 V AC 50 / 60 Hz
Dimensions:	45 x 36 x 58 mm (2 TE)
Power consumption:	0.2 – 1 W
Degree / class of protection:	acc. to DIN EN 60529 IP20 / Class II
Power back-up (at 20 °C):	approx. 10 years
Ambient temperature:	-30 °C to +55 °C
Housing:	self-extinguishing thermoplastic
Material color:	grey
Switching power:	3680 W / 16 A, $\cos \varphi = 1$ 2300 VA, $\cos \varphi = 0.6$ 200 W LED max. inrush current I_p (20 ms) = 50 A
Type of contact (k):	μ -contact, Changeover contact, contact gap < 3 mm
Outputs:	1

Product information

Digital ASTRO time switch for installation in branches

1 channel

56 memory locations

Switching capacity 16 A per channel

NFC programming (ISO 15693 standard)

Directly programmable via App (Android)

Replaceable battery (CR2032)

Illuminated display

Astro program

Daily and weekly program

Permanent by date / holiday function

Minimum interval 1 min.

Manual permanent mode

Manual override

Automatic sorting of switching times on readout

Fully automatic daylight saving time

Elapsed time and pulse counter

Security by PIN code

