

KNX Push button sensor, 8 button



1、 technical parameter

KNX bus

working voltage

21-30V DC

Bus current

12.0mA/24V DC, 9.2mA/30V DC

Bus power consumption

<300mW

Auxiliary power supply

voltage

12-30V DC

current

100mA/12V DC,

45mA/24V DC,

30mA/30V DC

power dissipation

<1.2W

Operation/Instruction

Button and LED indication

The functions and LED indications of each button can be accessed by referring to the

Number of separate configurations

Combination keys: Key 1 and Key 8

Enter/exit programming mode

LED indicator: flashing

The device is in programming mode

Keys

Button count

>20000

connect

EIB/KNX

Bus connection terminals (red/black)

Auxiliary power supply

Bus connection terminals (yellow/white)

temperature sensor

temperature range

-20 °C...+85 °C

measurement accuracy

± 0.5 °C

Infrared induction

Sensing distance

Maximum 1 meter (passing through the front of the panel, sensing distance)

Up to 1 meter; Approaching from the front of the panel, sensing distance

Up to 0.7 meters)

temperature range

working

-5 °C...+45 °C

storage

-25 °C...+55 °C

transport

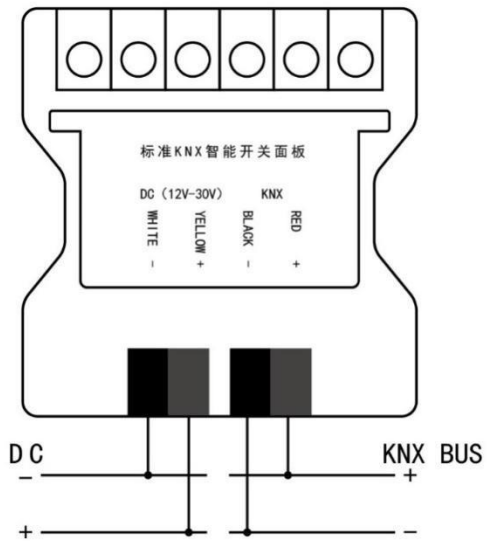
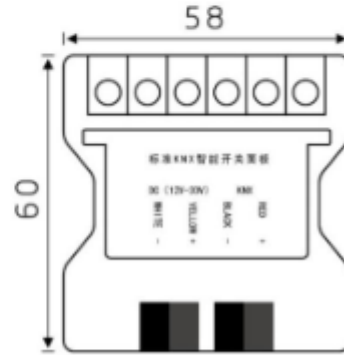
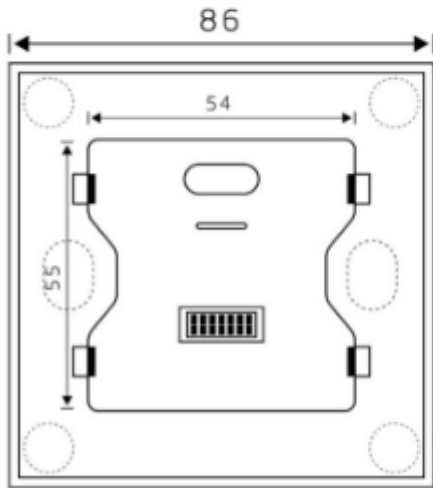
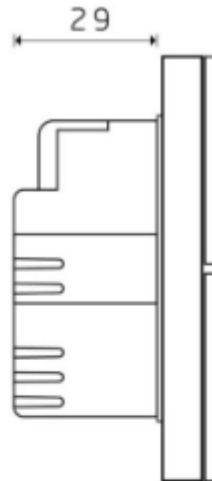
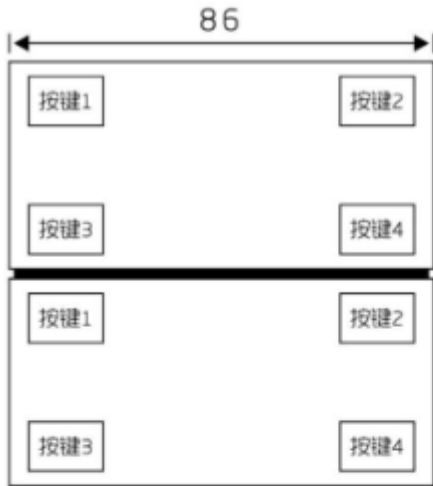
-25 °C...+70 °C

environment condition

humidity

<93%, except for condensation

2、 Illustrated Description



KNX Multifunction Thermostat Panel



1、 technical parameter

KNX bus

working voltage

21-30V DC

Bus current

12.0mA/24V DC, 9.2mA/30V DC

Bus power consumption

<300mW

Auxiliary power supply

voltage

12-30V DC

current

100mA/12V DC,

45mA/24V DC,

30mA/30V DC

power dissipation

<1.2W

Operation/Instruction

Button and LED indication

The functions and LED indications of each button can be accessed by referring to the

Number of separate configurations

Combination keys: Key 1 and Key 8

Enter/exit programming mode

LED indicator: flashing

The device is in programming mode

Keys

Button count

>20000

connect

EIB/KNX

Bus connection terminals (red/black)

Auxiliary power supply

Bus connection terminals (yellow/white)

temperature sensor

temperature range

-20 °C...+85 °C

measurement accuracy

± 0.5 °C

Infrared induction

Sensing distance

Maximum 1 meter (passing through the front of the panel, sensing distance)

Up to 1 meter; Approaching from the front of the panel, sensing distance

Up to 0.7 meters)

temperature range

working

-5 °C...+45 °C

storage

-25 °C...+55 °C

transport

-25 °C...+70 °C

environment condition

humidity

<93%, except for condensation

2、 Illustrated Description

